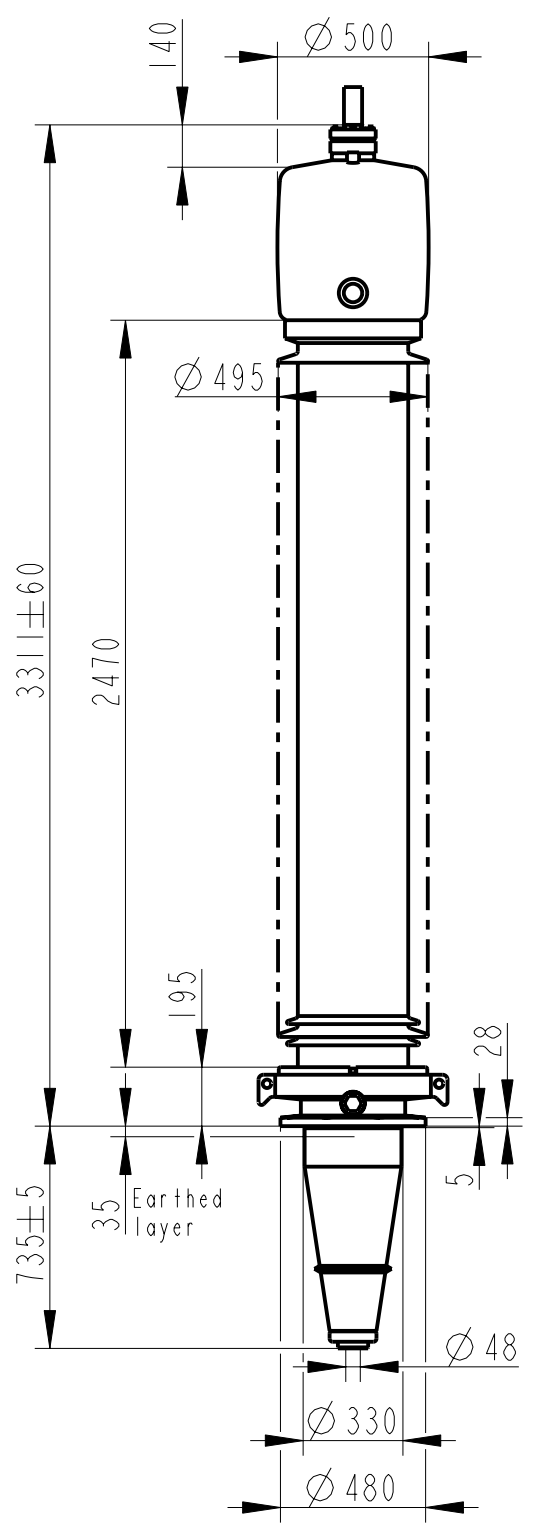


Rev	Ind	Revision	Appd	Date



### Bushing Data:

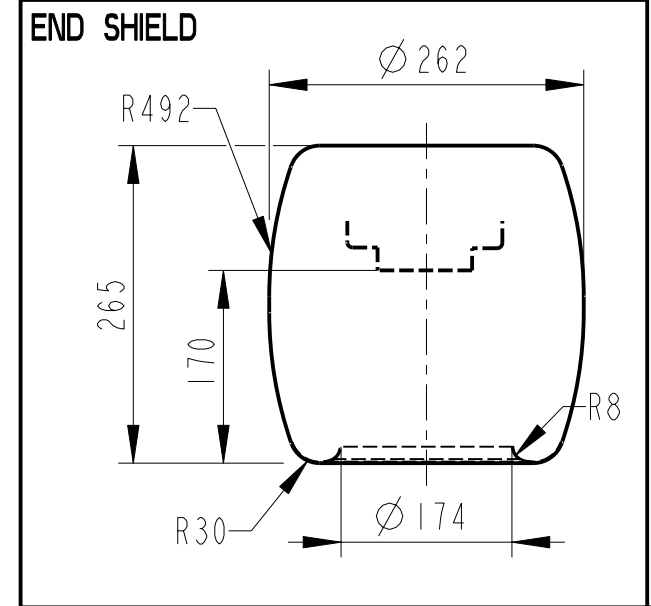
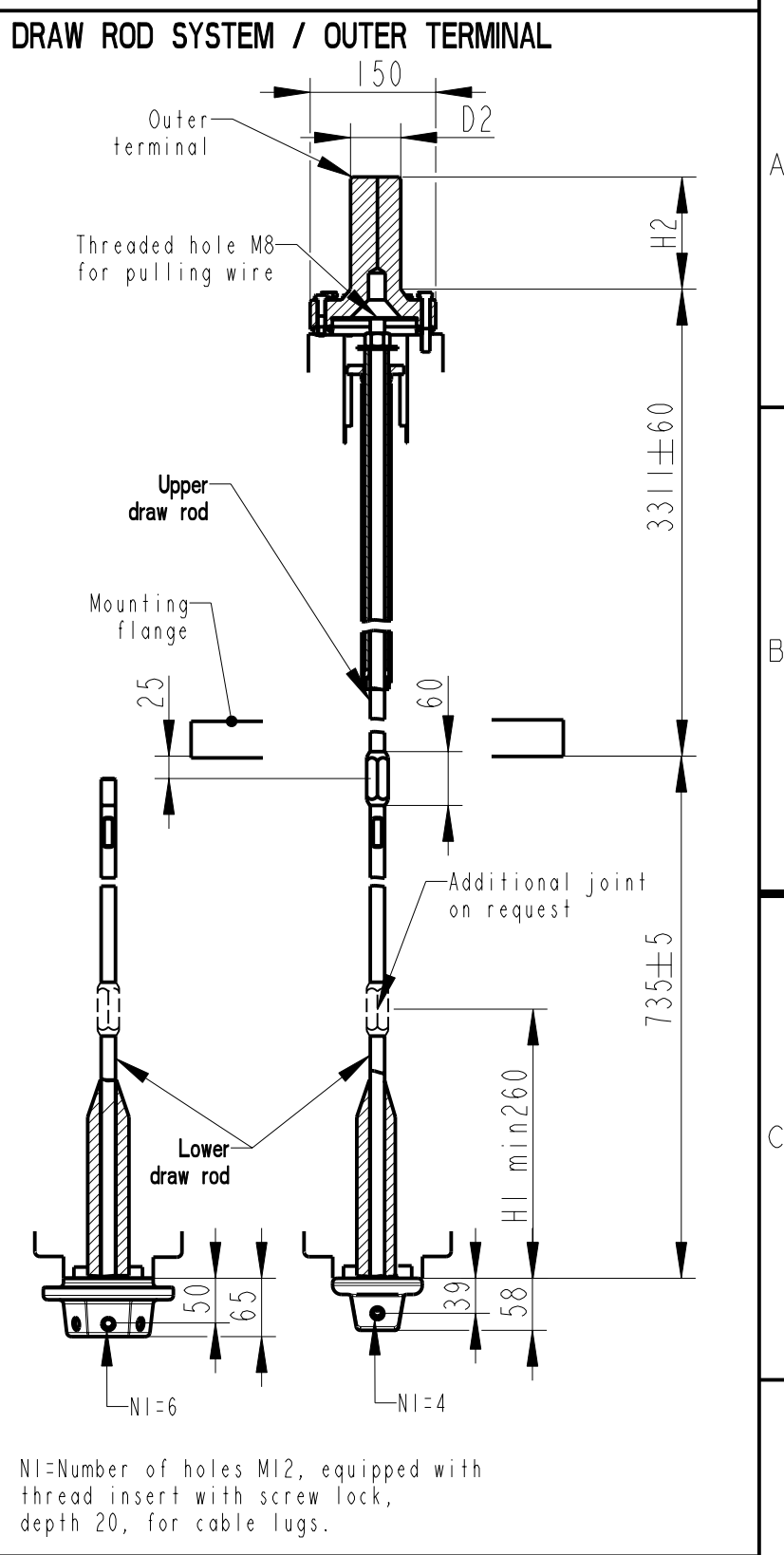
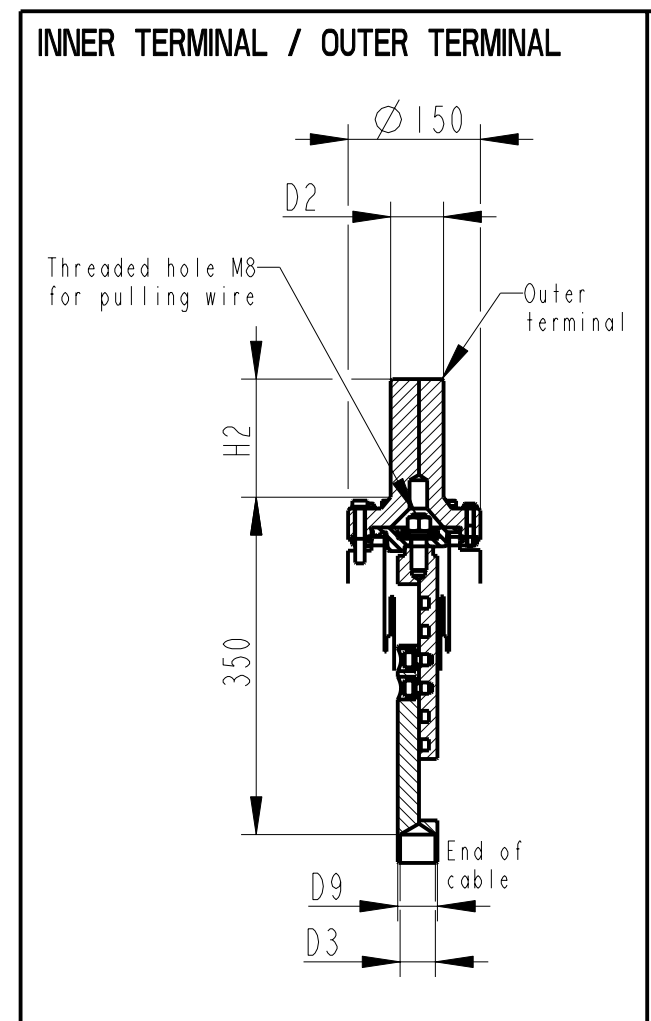
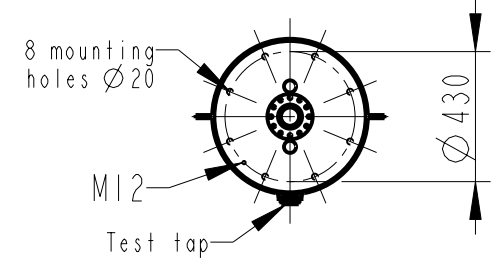
Rated Voltage	362	kV
Phase to-earth Voltage	220	kV
Dry Lightning Impulse 1,2/50µs	1175	kV
Wet Switching Impulse	850	kV
Wet Power frequency AC	540	kV
Routine test Imin dry 50Hz	530	kV
Rated Current	2500	A
Creepage Distance	7955	mm
Mass	785	kg

### Ordering Data:

<b>BUSHING</b>	COLOUR AIR INSULATOR
LF121061 -C / -AC	BROWN / LIGHT GREY
<b>OUTER TERMINAL</b>	
	H2 D2
	(mm) (mm)
LF170 073-A Al	125 60
LF170 073-B Cu	125 60
LF170 073-G Cu/Ag	125 60
OTHER TYPES ON REQUEST	
<b>END-SHIELD</b>	
LF170 046-U EPOXY INSULATED	
LF170 046-UP INSULATED WITH 3 mm PRESSBOARD	
<b>DRAW ROD SYSTEM</b>	
LF170 059 LOWER DRAW ROD WITH NI=4 OR NI=6	
LF170 057 UPPER DRAW ROD	
<b>INNER TERMINAL</b>	
	D3 D9 Cond.area Current (A)
	(mm) (mm) (mm <sup>2</sup> ) IEC IEEE
LF170 056-E 0 *)	45 - - -
LF170 056-D	40 45 600 1600 1360

\*) WITH PILOT HOLE D=5

ABB Components		Ludvika, Sweden	
U <sub>4</sub>	N <sub>4</sub>	A	50-60 Hz
U	kV SI	kV AC	kV
M	kg L	mm D	
C1	pF Tanδ		
C2	pF Tanδ		



Based on	Reg. No.	Title	Language
Prepared Lövnord	Responsible department COM/BK 0022	GOE-1175-850-2500-0	
Approved Johansson	Take over department		Page
Design engineering review Gutman	Database		1(1)
ABB Components		Document No.	2751369-21

We reserve all rights in this document and in the information contained therein. Reproduction, use or disclosure to third parties without express authority is strictly forbidden. ©ABB